

# W85HS

## View Master

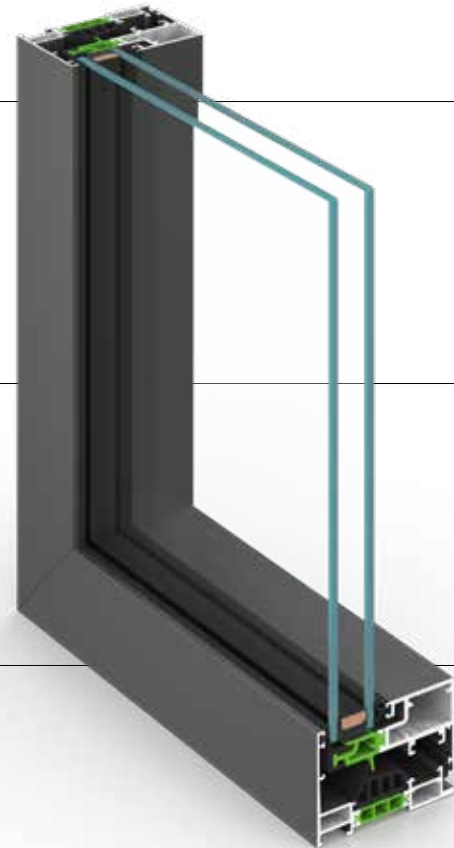
# ID

- Maximum light penetration
- Slender face widths with concealed window elements
- Outstanding thermal and sound insulation levels
- Impressive water and air tightness
- Concealed fittings are possible
- Suitable for both double and triple glazing
- Easy access low threshold meets international requirements
- Ideally suited for demanding residential projects

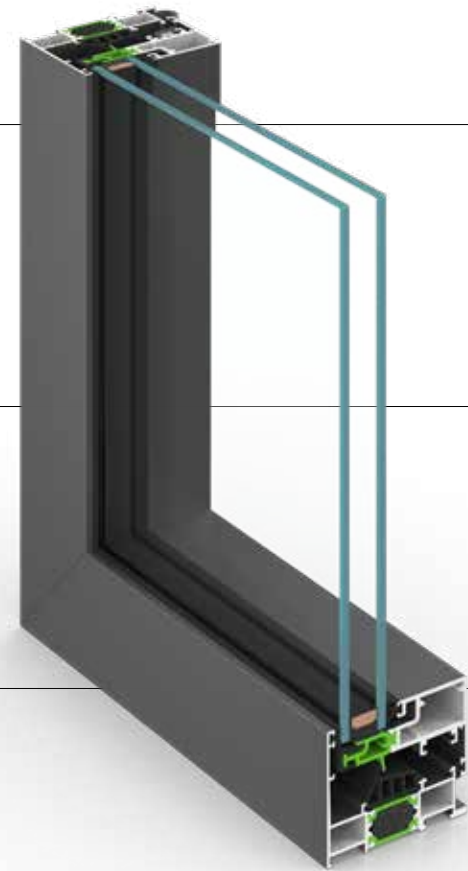
The W85HS is a highly insulated hinged system, offering the greatest possible degree of architectural design freedom by maximizing natural daylighting and granting enhanced views with outstanding insulation levels.

# TC

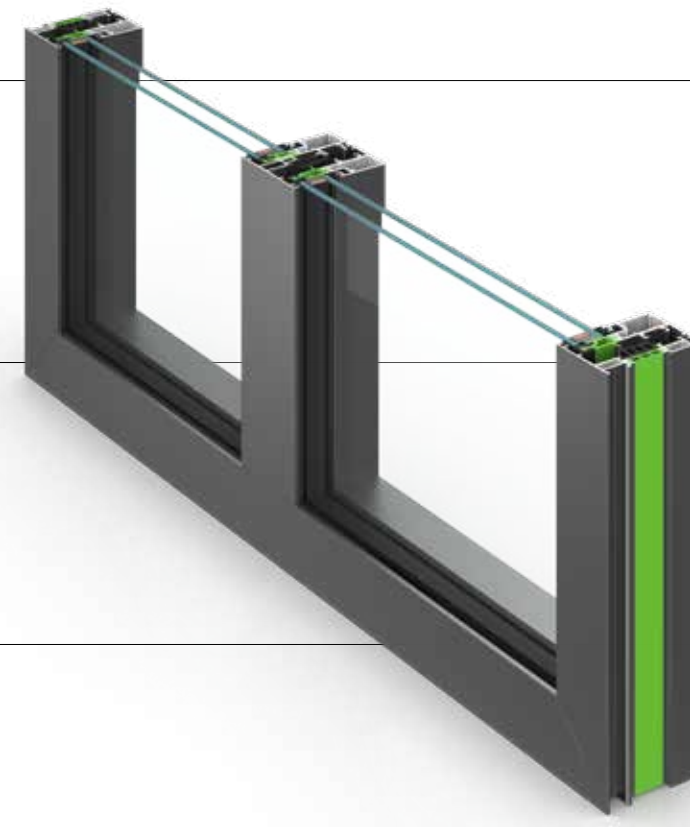
Low Frame



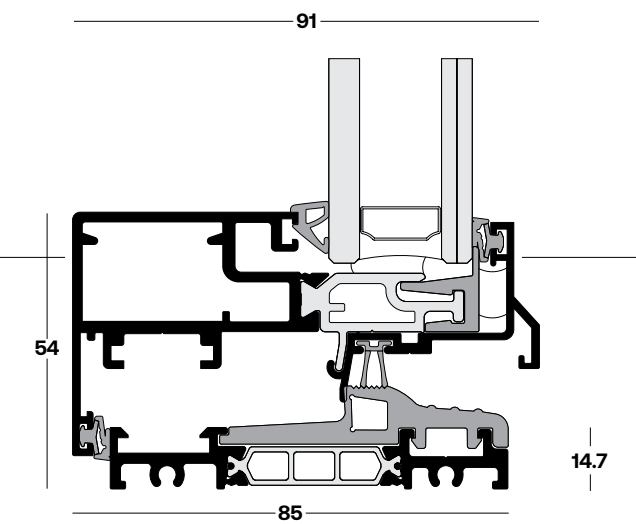
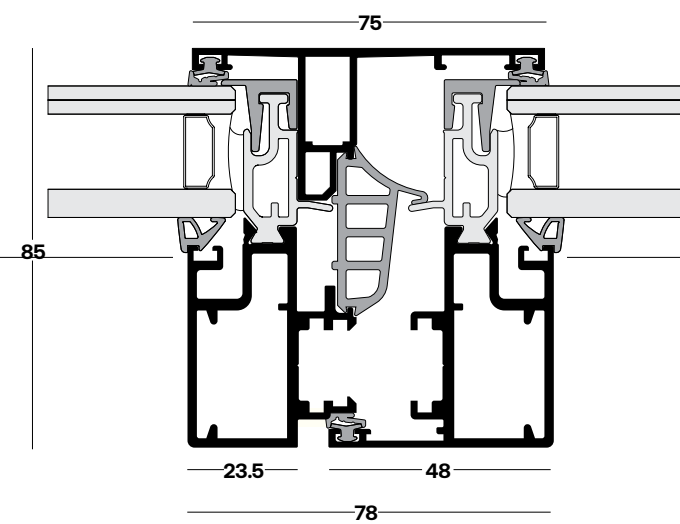
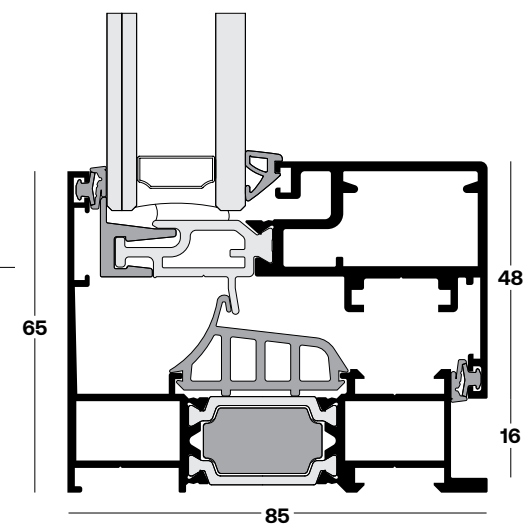
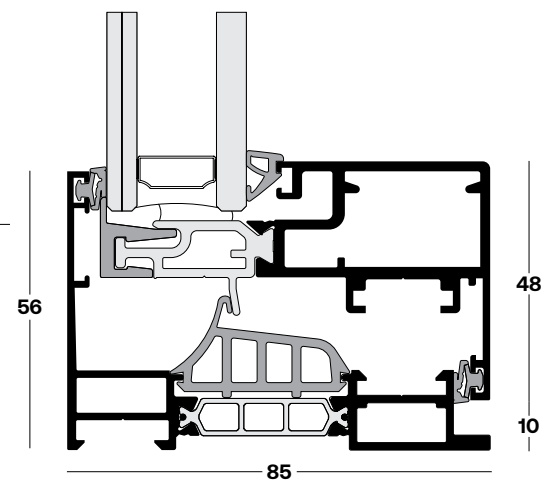
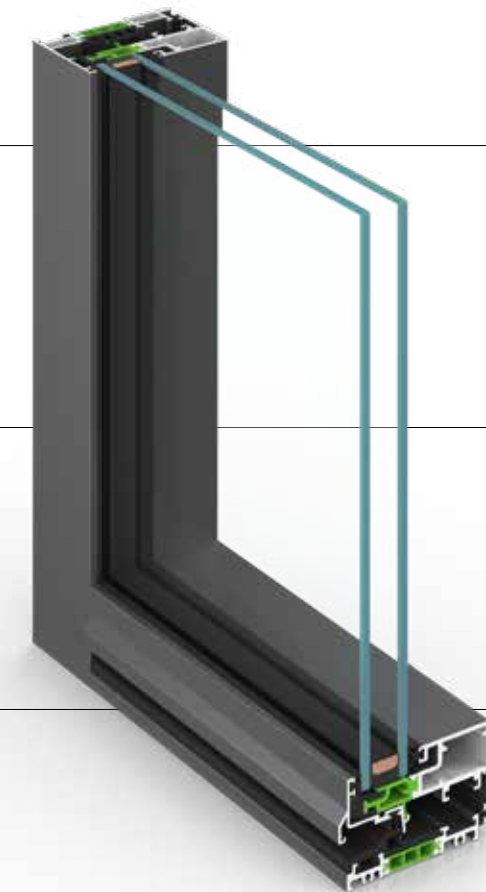
Standard Frame



Narrow Viewing



Low Threshold





## System Configurations



## Technical Data

○ Category

▾ Value

- Exterior Aesthetics → Flat / minimal design with hidden sash
- Window Types → Hinged
- Frame Depth → 85 mm
- Sash Depth → 78 mm

- Minimum Visible Aluminum face Height (Frame-sash) → 56 mm
- Minimum Visible Aluminum Face Width (Adjoining) → 78 mm
- Minimum Threshold Height → 14.7 mm

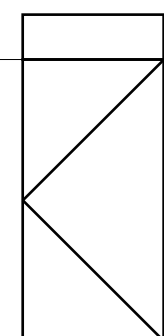
- Maximum Sash Width → 1,200 mm
- Maximum Sash Height → 2,400 mm
- Maximum Sash Weight → 150 kg
- Sealing Method → Perimetrical, 3-level with EPDM gaskets
- Hardware → Visible / Concealed hinges 180°

- Glass Type → Double / Triple
- Glass Thicknesses → From 28 mm up to 40 mm
- Type Of Thermal Insulation → Polyamides 30 mm, Insulation Foam

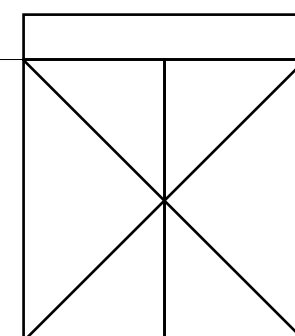
● One Fixed Light

● Single Side Hung Casement or Tilt & Turn

● Double Side Hung Casement or Tilt & Turn



● Single Side Hung Casement or Tilt & Turn With Fixed Light



● Double Side Hung Casement or Tilt & Turn With Fixed Light



## System Performances

○ Category

▾ Value

- Thermal → Uf values from 1.4 W/(m²K)
- Air Permeability → Class 4
- Water Tightness → Class 8A
- Wind Load Resistance → Class C2/B2
- Acoustic → 44 dB

● Fixed & Single Side Hung Casement or Tilt & Turn

● Two Side Fixed & Single Central Side Hung Casement or Tilt & Turn

