

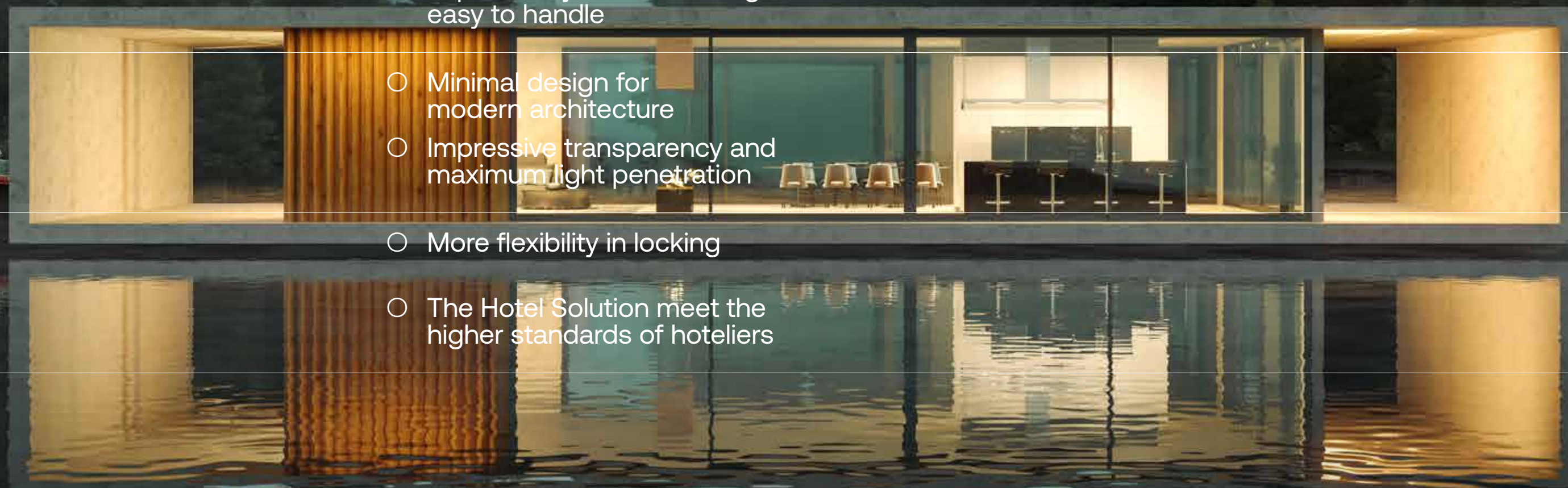
SL2700

Great
Wide

ID

The SKYLINE SL2700 is one of the greatest lift-and-slide systems in the world, an awe-inspiring feat for contemporary architecture! Attractive and effective slim-frame-lines, excellent thermal insulation values and high-quality components create an exceptionally uplifting atmosphere.

- Ultimate high-end look grants freedom
- Wide span structures are perfectly fulfilled
- Exceptional performance for virtually all environments
- All-glass corners as well as 90° open corners are possible
- A complete range of tracks
- Impressively smooth sliding and easy to handle
- Minimal design for modern architecture
- Impressive transparency and maximum light penetration
- More flexibility in locking
- The Hotel Solution meet the higher standards of hoteliers



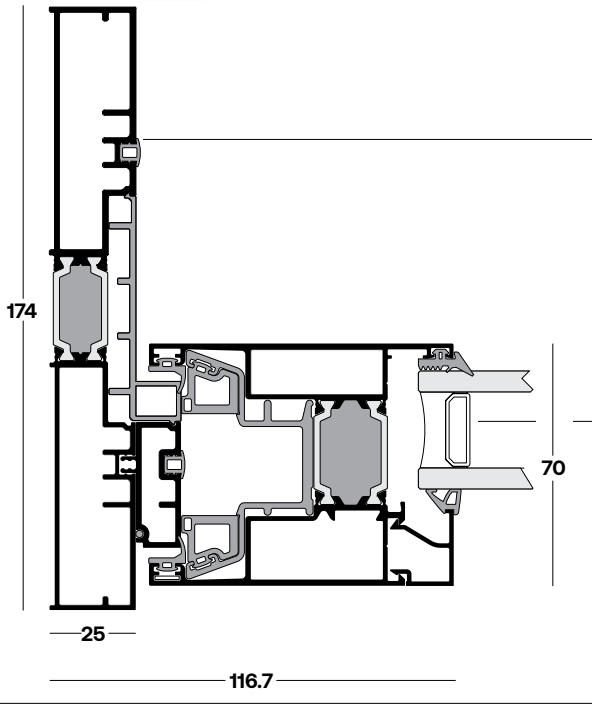
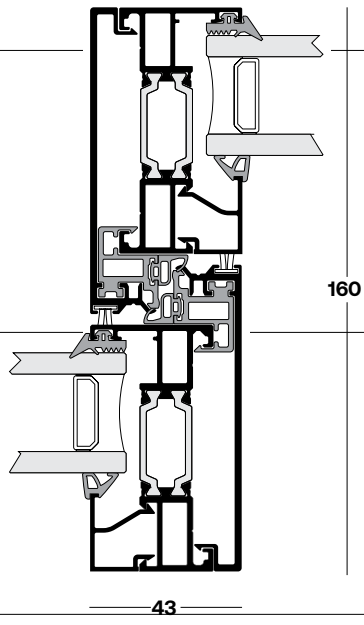
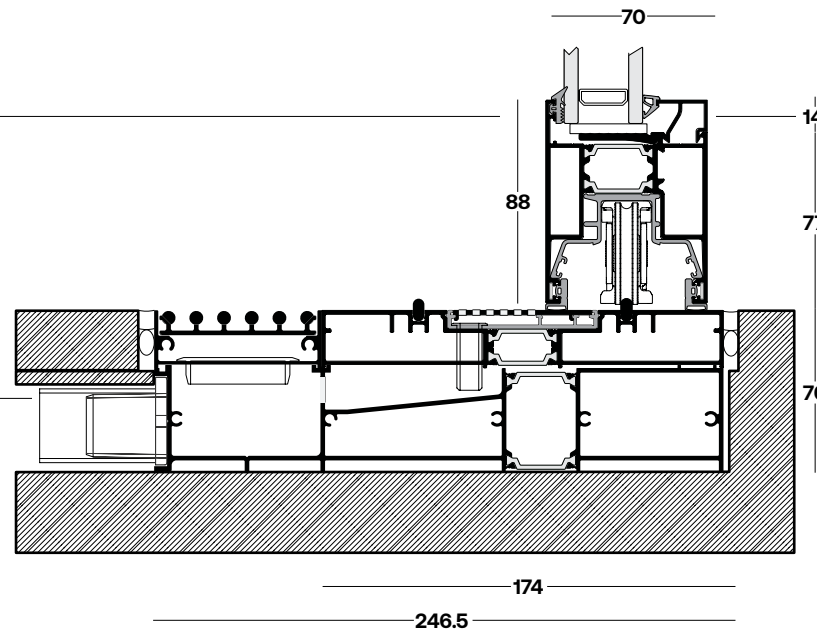
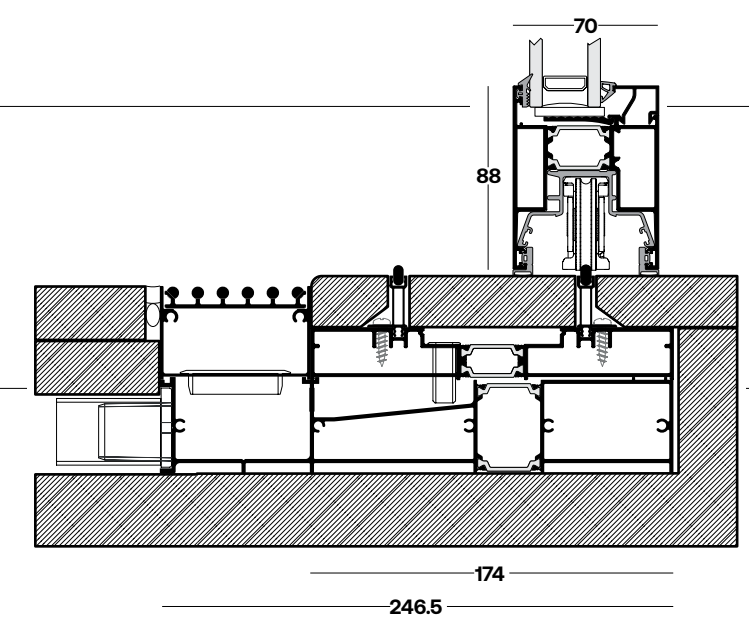
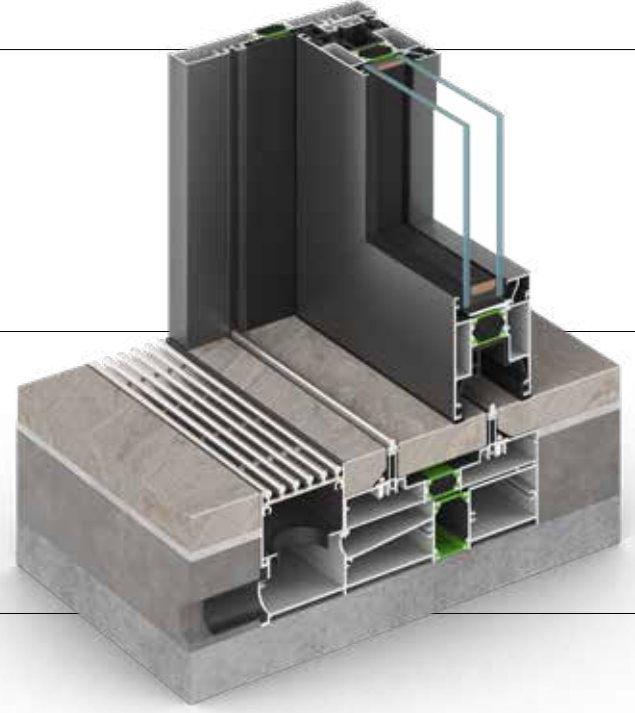
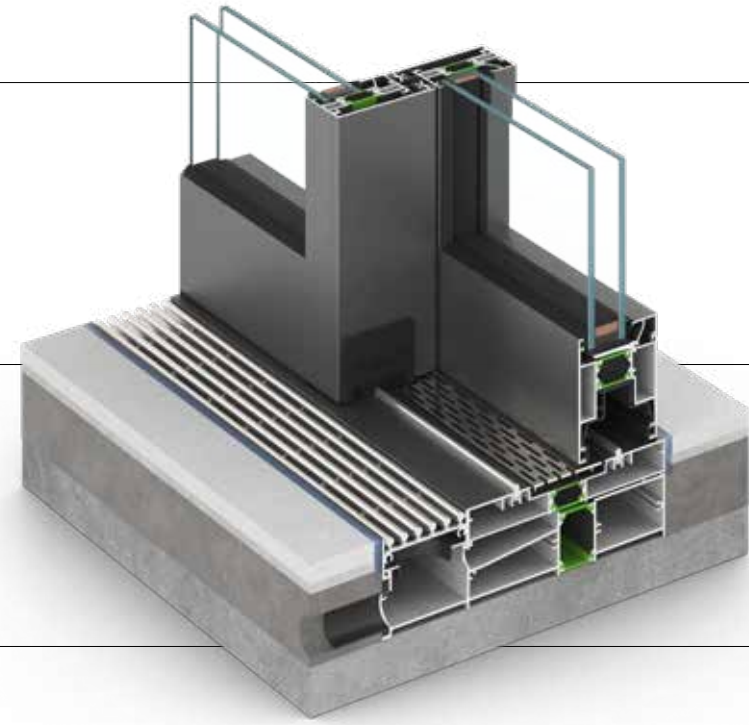
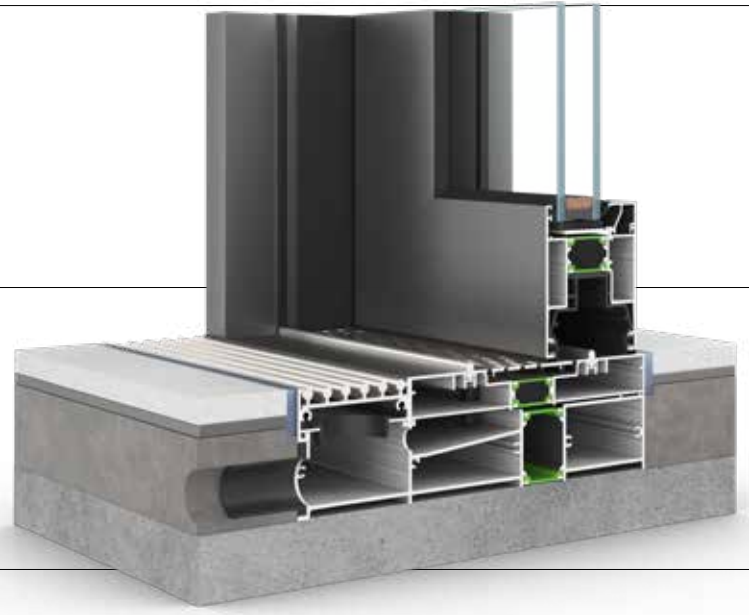
TC

Hidden Track

Flat Track

Interlock

Side Frame





System Configurations

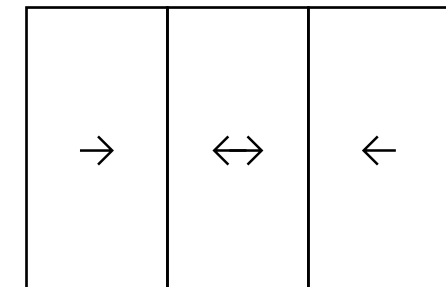


Technical Data

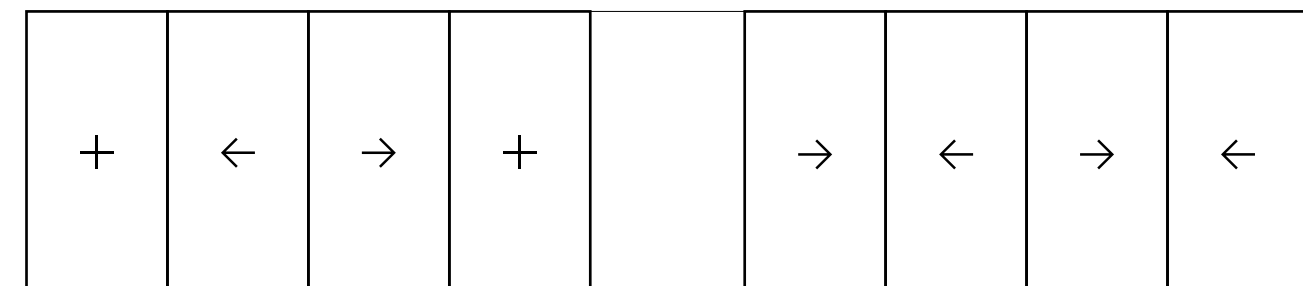


● One Fixed & One Movable Sash

● Two Movable Sashes



● Three Movable Sashes



● Two Side Fixed & Two Central Movable Sashes

● Four Movable Sashes



System Performances

○ Category

▾ Value

● Exterior Shapes	→ Flat / Contemporary look with narrow interlock & reduced sightlines
● Window / door Types	→ Lift-and-slide
● Track Width	→ 174 mm
● Minimum Track Height	→ 25 mm
● Visible Aluminum Face Width (Interlock)	→ 43 mm
● Maximum Sash Width	→ 3000 mm
● Maximum Sash Height	→ 3000 mm
● Maximum Sash Weight	→ Up to 400 Kg
● Sealing Method	→ Perimetrical with EPDM gaskets & multi-layer brushes
● Hardware	→ L&S mechanism & rollers with standard or hook version, locking points
● Glass Type	→ Double / Triple
● Glass Thicknesses	→ From 24 mm to 52 mm
● Type Of Thermal Insulation	→ Polyamides of 30 mm, Insulation Foam

○ Category

▾ Value

● Thermal	→ Uf values from 1.7 W/(m ² K)
● Air Permeability	→ Class 4
● Water Tightness	→ Class 9A
● Wind Load Resistance	→ Class B4
● Acoustic	→ 42 dB

