

CW35

ID

Simplicity at its best, SKYLINE CW35 is the new generation of Aluminco's curtain wall system, which offers maximum transparency due to minimal face widths of just 35 mm wide. The ultra-thin lines of the system allow your living spaces to be filled with panoramic views and natural light.

Style Setter

- Slim facade design allows for maximum light penetration
- Transparent facade offers breathtaking views
- Two body types in contemporary and industrial -look- design
- Exceptional thermal and acoustic insulation
- Combines perfectly with the SKYLINE W85^{HS} for large facade frames
- Ideally suited for luxury residential and commercial environments

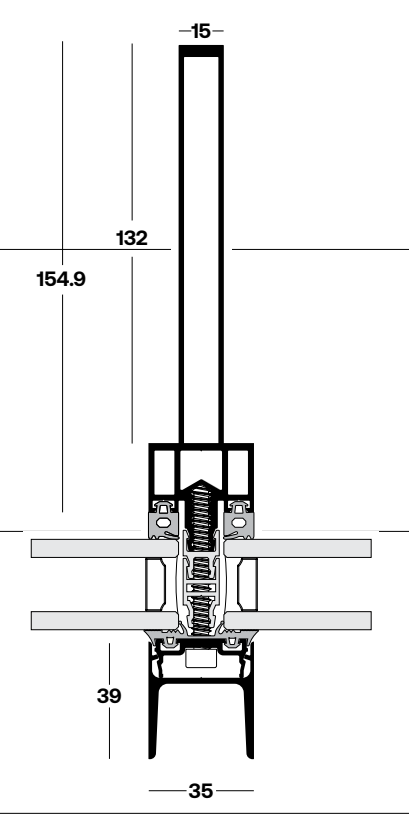
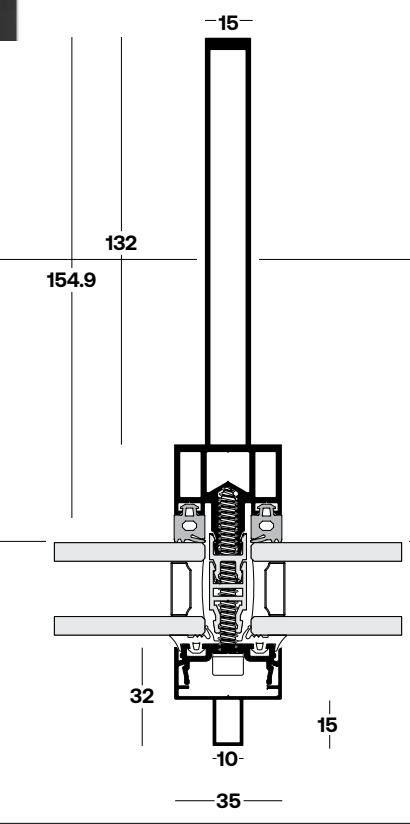
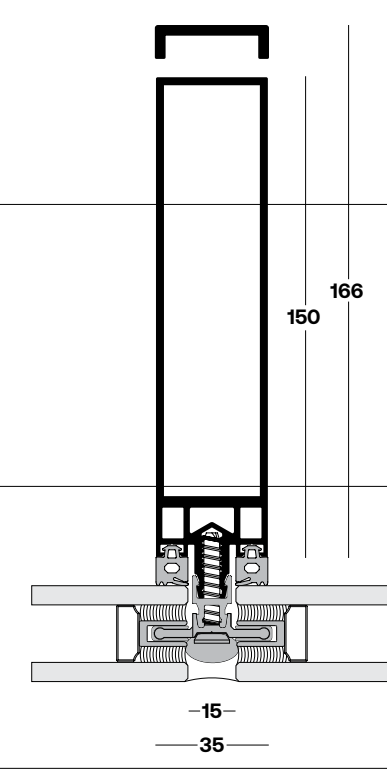
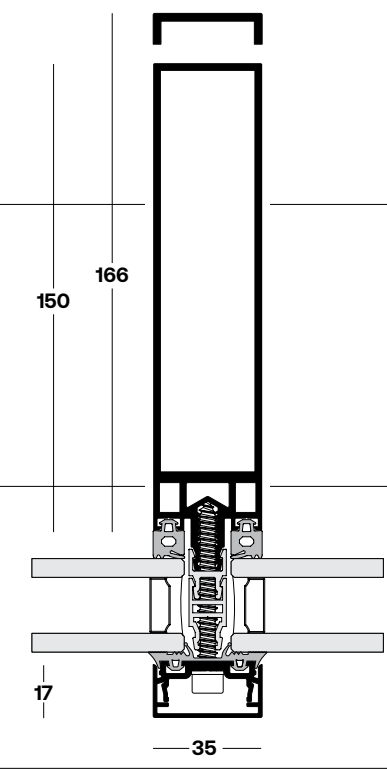
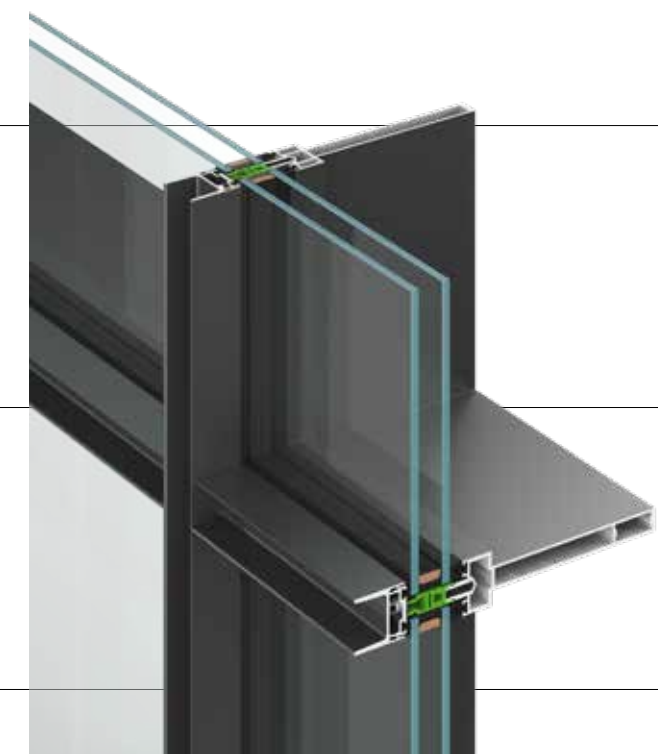
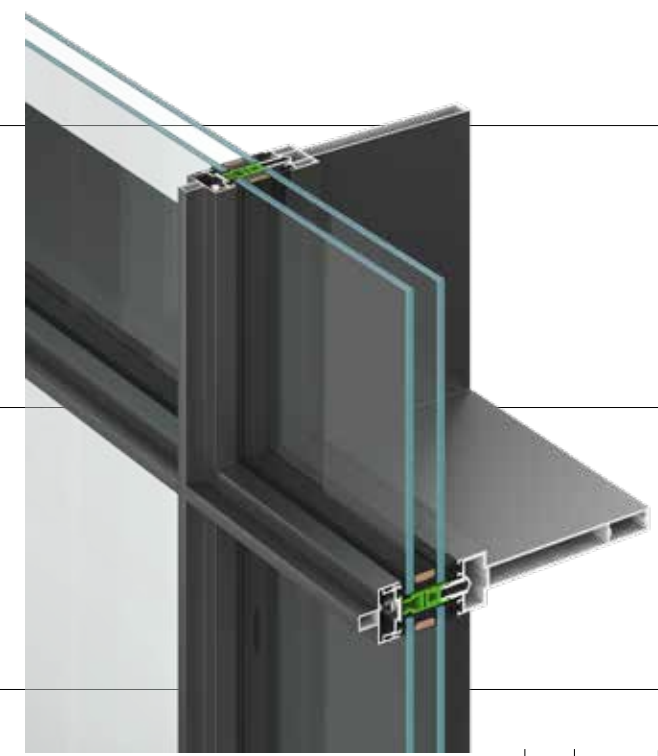
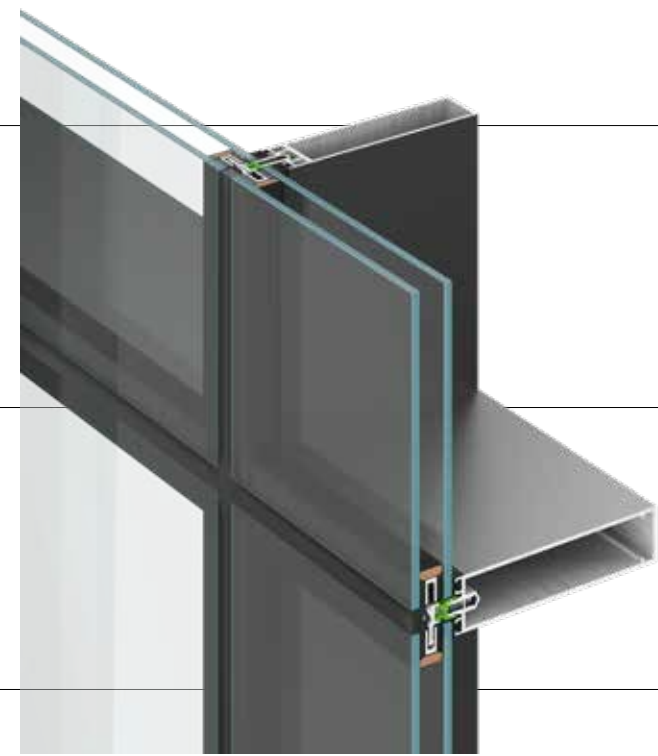
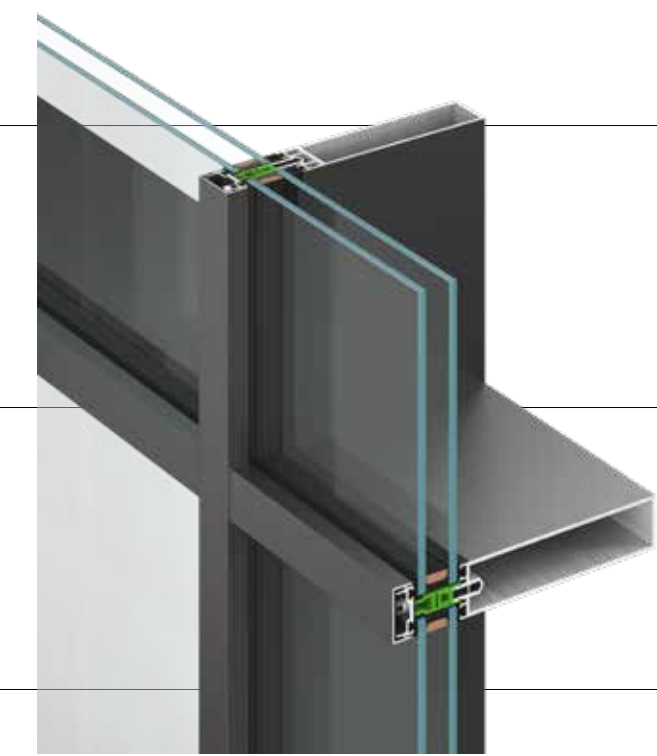
TC

Standard

Structural

Retro

Industrial

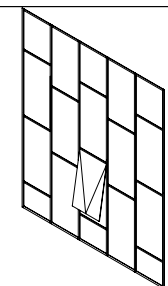
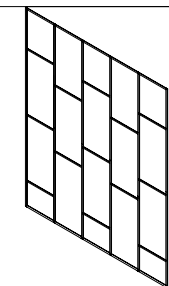




System Configurations



Technical Data



○ Category

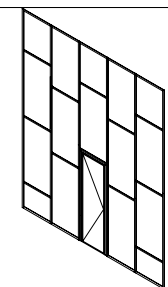
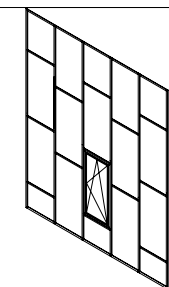
▾ Value

- Exterior Aesthetics → Standard / Structural / Retro / Industrial
- Exterior Visible Aluminum Face → 35 mm
- Column Depth → Up to 185 mm
- Transom Depth → Up to 192.5 mm

● Fixed

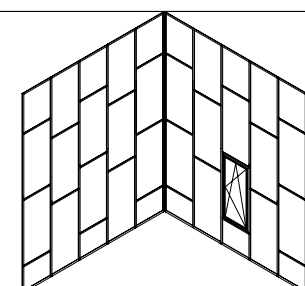
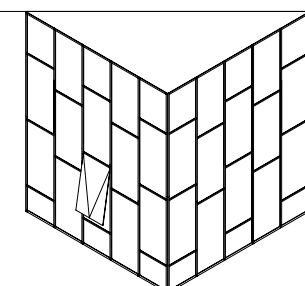
● Fixed With Projected Windows

- Glass Thicknesses → From 6 to 48 mm
- Glazing Fixed Method → Pressure plate / Structural
- Windows Hardware → Visible / Concealed
- Type Of Thermal Insulation → Polyamides, Insulation Foam



● Fixed With Inward Opening Windows

● Fixed With Entrance Door



System Performances

○ Category

▾ Value

- Thermal → Uf values from 2.0 W/(m²K)
- Air Permeability → Class AE 1200
- Water Tightness → Class RE 1200
- Wind Load Resistance → Design Load ± 1.4KN/m² Safety Load ± 2.1KN/m²
- Acoustic → 45 dB

● Out Corner

● Inside Corner

